

Notes

Technical Information

- Safe working load = 300 Kg
- Total unladen weight = 200 Kg
- Maximum Travel = fit to fit 1000mm (935mm if fitted in a pit)
- Lift Speed = 20mm per second
- Ramp Gradient = 1 : 6
- Power Supply = 230v ac 50 HZ Single Phase & Earth
- power Consumption = 240 Watts
- Lift Operating Voltage = 24v

Battery Powered Raise & Lower
Manual Emergency Lowering
Hydraulic Drive
Built in compliance with BS 6440 : 1999
Suitable for Internal & External use.

Electrical Services

Wall mounted **lockable isolator** to be supplied and fitted by others. It must be within 5 metres of upper gate.
A&A wiring from isolator to machine is surface fixed as standard.
See plan view for suggested isolator position.

Upper Level Gate

The standard gate opening is 900mm
Minimum travel required to fit gate is 250mm

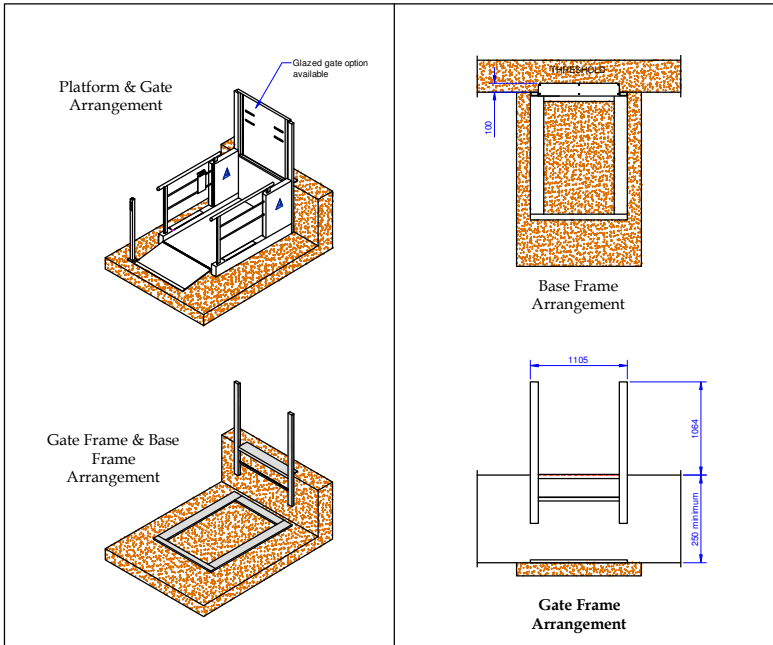
External Applications

A lift supplied for external applications should wherever possible, be installed with it's base flush with, or above, the level of the surrounding ground, and on a standing which will remain free from accumulations of water.

Should the client wish to have a lift installed outdoors, with a pit, it is a condition of supply that the client ensures that such a pit remains properly drained at all times.

Axess 4 All reserves the right to decline warranty claims arising from any accumulation of water within such a pit or base.

Drawn by	S. Dewar	Date	27.09.08
Checked by	S. Pawley	Date	27.09.08
Sheet	ONE	of	THREE
Site Name:	A2000 - 900 -		
RefNo:	TYPICAL 1		



Notes

The lift applies a maximum load of 5kN to the base
A concrete base is recommended with a minimum depth of 150mm
A concrete threshold is recommended with a thickness depth of 250mm, however if concrete is not available, then a timber frame can be utilized, for details see sheet 3.
The base and threshold must have a smooth finish and be level to within 5mm
A clear area of 1500mm square is recommended at the entrance and exit points of the lift for access
A minimum of 2000mm is required above the threshold height.

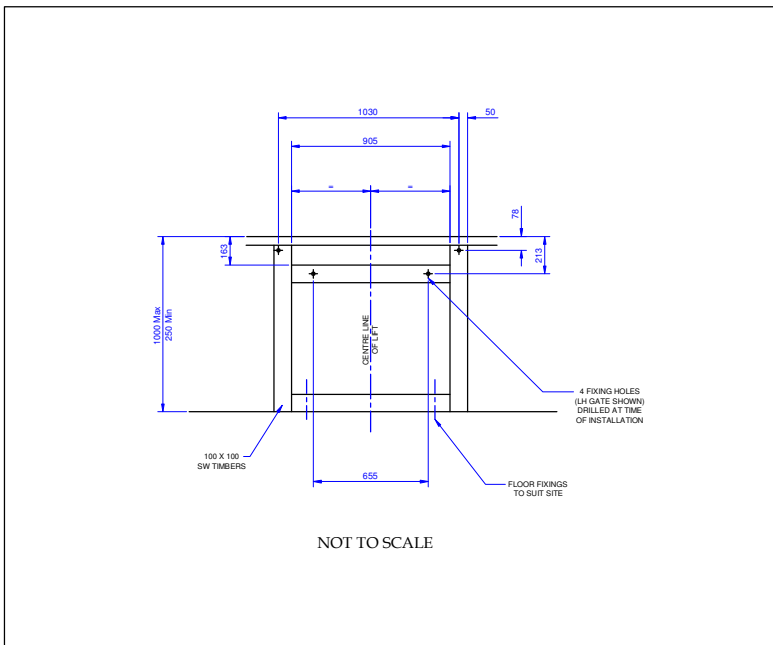
Pit Dimensions (if required)

- Length with gate = 1595mm
- Width with gate = 1404mm
- Depth = 65 - 85mm

For external pit, please fit adequate drainage.

Drawn by	S. Dewar	Date	27.09.08
Checked by	S. Pawley	Date	27.09.08
Sheet	TWO	of	THREE
Site Name:	A2000 - 900 -		
RefNo:	TYPICAL 1		

Drawings on this sheet (sheet 2) are for reference only



Notes

1000 Min
250 Min

100 X 100 SW TIMBERS

4 FIXING HOLES (LIFT GATE SHOWING DRILLED AT TIME OF INSTALLATION)

FLOOR FIXINGS TO SUIT SITE

NOT TO SCALE

Drawn by	S. Dewar	Date	27.09.08
Checked by	S. Pawley	Date	27.09.08
Sheet	THREE	of	THREE
Site Name:	A2000 - 900 -		
RefNo:	TYPICAL 1		

Drawing on this sheet (sheet 3) are for reference only