

Notes

- Builder to form a pit 50mm deep (+10mm/-0mm) to the dimensions shown on sheet TWO. The pit floor is to be smooth and level within +/-5mm and of sufficient strength to withstand the loads applied to it. Please see sheet TWO for loadings. Upper floor level cut outs are to be positioned directly above the pit and constructed to the same dimensions as the pit. The lift base frame will be fixed to the floor by Axess 4 All using M8 x 80mm expanding anchor bolts. The lift will also be fixed back at the upper landing door sills.
- We can install the lift with a travel of upto 3500mm without a support wall to side 'D'. Above this travel a stabilizing wall / structure is to be provided on site by others for fixings. (please see sheet TWO for loading details). The stabilizing wall must be plumb to +/-5mm. The relationship between the lift base and the wall would need to be plumb and square -0/+10.
- If there is not a supporting wall to side 'D' of the platform lift on units below 3500mm travel, we will require assistance to carry the upper level door's up to the relevant landings. It may be necessary for Axess 4 All to fix temporary supports back to the building structure during lift installation in this case.
- There will be some making good after the lift has been installed. The pit and upper floor cutouts are slightly oversize and will need grouting to the shaft. Finishing / plaster angles will be required to be fitted between the slab and floor and also down the faces of our shaft. All to be done after the installation is complete.
- Builder to ensure that there is a minimum clear opening of 2250mm high at each door position. (unless otherwise specified). A minimum clear headroom of 2300mm is required at the upper most floor level.
- The finished colour of the platform lift shaft / panels is white factory painted polyurethane. The doors are self colour anodised Aluminium as standard or can be powder coated to any RAL colour required.
- If building infills to the sides or rear of the platform lift structure please ensure that you DO NOT use any mechanical fixings i.e. screws into any part of our structure. Suitable fire rating material is to be supplied and fitted by client to shaft to provide fire compartmentation if required.
- Client to ensure that access to the shaft / work area, is restricted completely as clearly noted for use by authorised installation personnel only, for the duration of the installation. Landing entrance protection is to be provided to all levels by the builder. An area full width of the shaft x 1m back from the landing edge is to be hoarded off for the use of our installation team. An outward opening door is to be provided in each hoarding. It should only be accessible from the outside with the use of a key and from the inside without the use of a key. Keys to be made available at the start of the installation.
- Students are to be sufficiently isolated from the work area to prevent unnecessary distraction / nuisance to the installation team.

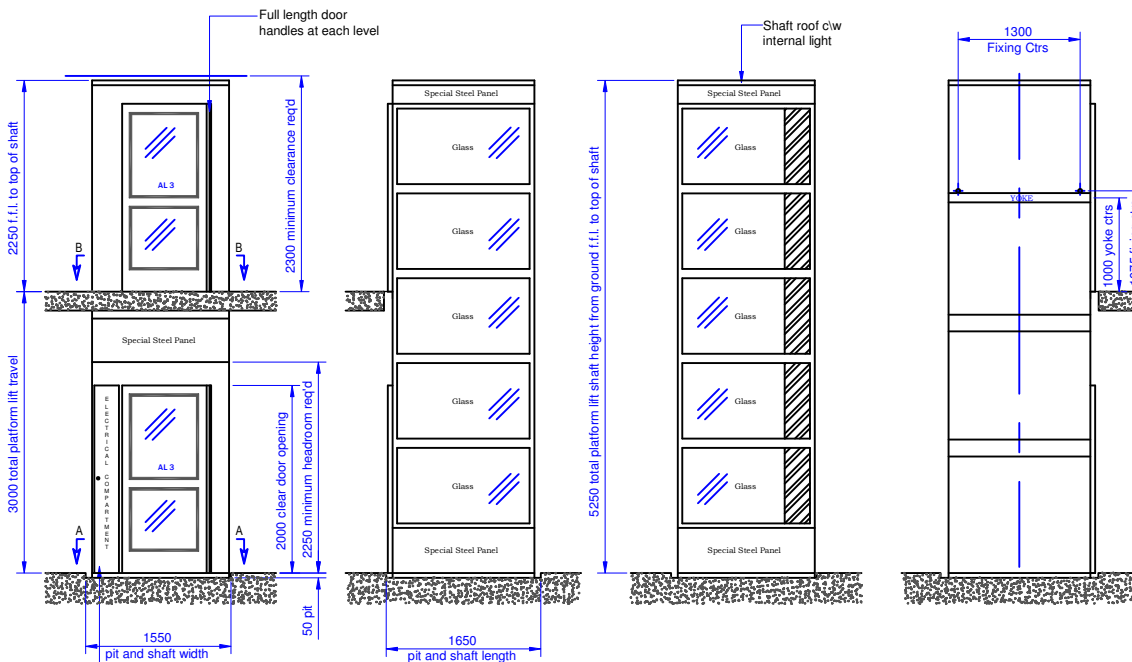
Drawn by	S. Dewar	Date	18.07.07
Checked by	S. Pawley	Date	18.07.07
Sheet	ONE	of	TWO
Site Name :	1100 Platform Typical General Arrangement Drawing 1		
Drawing Original -	1.9.03 T.F.	Drawing Revised Rev A -	1.9.05 T.F.
Dwg Revised Rev B -	29.07.08 - S.D.	Ref No. :	Typical 1

Elevation A

Elevation B

Elevation C

Elevation D

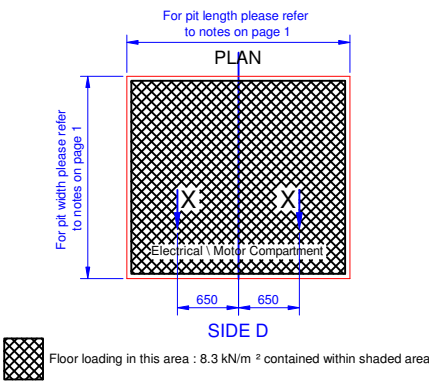


NOTE
 If a pit is not feasible then a ramp can be provided - details upon request

TYPICAL ONLY DRAWINGS
 NOT TO BE USED FOR CONSTRUCTION PURPOSES

THE NOTES ON THESE DRAWINGS REPRESENT VARIOUS PLATFORM LIFT ARRANGEMENTS AND WILL NOT BE RELEVANT TO ALL INSTALLATIONS.

A5000 Floor Loading Details



Pullout Loads

Pull out loads would only be applicable if the lift travel were to be amended to above 3500mm travel. Each fixing would then have a pull out force of 250N. (2 fixings at the shown level)

TYPICAL ONLY DRAWINGS
 NOT TO BE USED FOR CONSTRUCTION PURPOSES

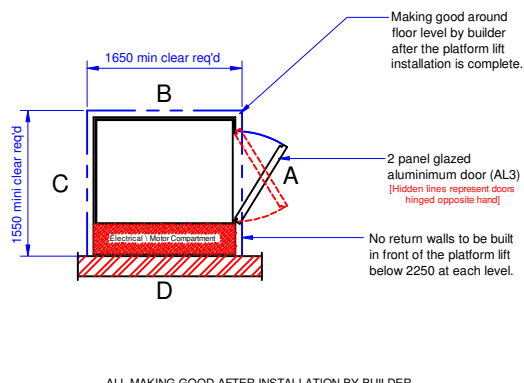
Electric

- If a Single Phase supply is required**
- A permanent 240V 1 phase 20 amp supply terminating in a fused and lockable isolator is to be positioned externally of the lift enclosure and is to be supplied and fitted by others within 500mm of the electrical compartment. If a temporary supply is provided at the start of the installation, this would still need to terminate in a permanent lockable isolator as noted above. Starting Current = 14 amps Running Current = 8 amps
 - A permanent 415V 3 phase 50Hz (neutral & earth) 4 wire, supplied by a 20 amp fused, lockable isolator and is to be positioned externally of the lift enclosure and is to be supplied and fitted by others within 500mm (see plan) of the electrical compartment. If a temporary supply is provided at the start of the installation, this would still need to terminate in a permanent lockable isolator as noted above.
 - Electrical contractor to provide a separate 13 amp fused supply adjacent to the main Platform Lift Isolator, to be used for the shaft lighting. Shaft overhead lighting to be supplied, fitted and wired by Axess 4 All providing the electrical supply is available at the time of installation.
 - Each landing entrance is to be lit to a minimum of 50 lux by others to comply with European codes. A safe working area 1000mm back from the landing edge by full width of the platform lift shaft is required at each level for the duration of the installation.
 - A permanent 13amp 3 pin socket is to be provided within 2000mm of the electrical compartment by others.
 - An intercom system can be supplied - details upon request.
 - A telephone can be supplied - details upon request.
 - An Autodialler system can be supplied - details upon request.
 - Electric shock and medical advice notice's are to be provided and fitted by client in clear view of the platform lift installation.
 - We will require a 240v power supply for the Platform lift for the duration of the installation which is to be made available on day one of the installation.
- Confirmation Request**
- Please note that we can not commence the manufacture of the Platform Lift until the travel (distance) between all floors to be served has been confirmed. This needs to be accurate to ± 25mm
 - The floor to ceiling height has to be a minimum of 2250mm at each landing to accommodate the doors and frames. (unless otherwise specified)
- Contractor to Note**
- A clear area adjacent to the final Platform Lift location is required by Axess 4 All at the time of delivery and for the duration of the installation, for safe storage of materials.
 - The access route from the delivery vehicle off loading area to the clear storage area (requested above) is to be fully made up. The route is to be free from obstructions and trades at the time of delivery.

Drawn by	S. Dewar	Date	18.07.07
Checked by	S. Pawley	Date	18.07.07
Sheet	TWO	of	TWO
Site Name :	1100 Platform Typical General Arrangement Drawing 1		
Drawing Original -	1.9.03 T.F.	Drawing Revised Rev A -	1.9.05 T.F.
Dwg Revised Rev B -	29.07.08 - S.D.	Ref No. :	Typical 1

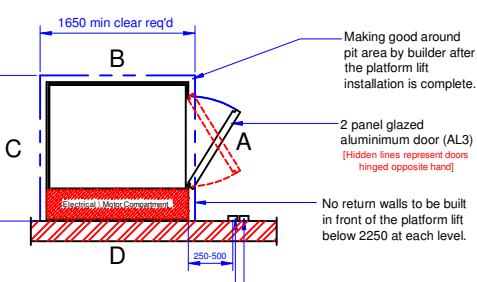
THE NOTES ON THESE DRAWINGS REPRESENT VARIOUS PLATFORM LIFT ARRANGEMENTS AND WILL NOT BE RELEVANT TO ALL INSTALLATIONS.

First Floor Configuration (Section B-B)



ALL MAKING GOOD AFTER INSTALLATION BY BUILDER

Pit Size 1550 wide x 1650 long x 50 deep



ALL MAKING GOOD AFTER INSTALLATION BY BUILDER

Ground Floor Configuration (Section A-A)

Wall mounted lockable isolator to be supplied and fitted by others. It must be between 250mm and 500mm from approx position of lift face on motor room side. Min 2100mm above F.F.L.

Builder to supply and fit 13 amp fused spur adjacent to the main Platform Lift Isolator, to be used for the shaft lighting.